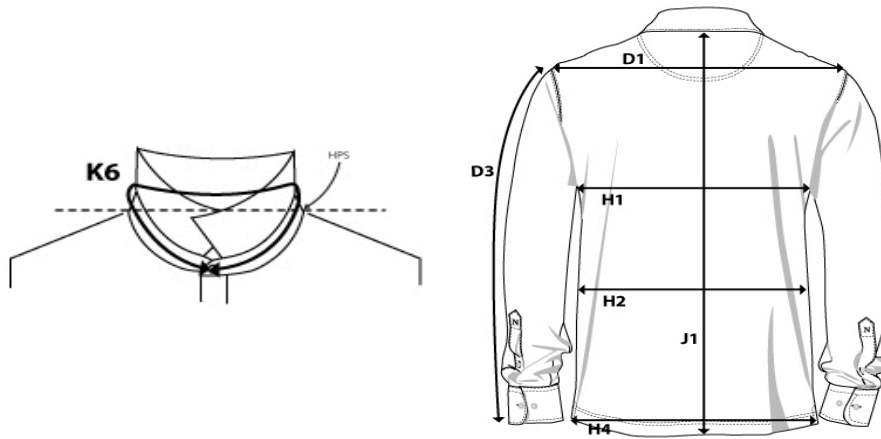
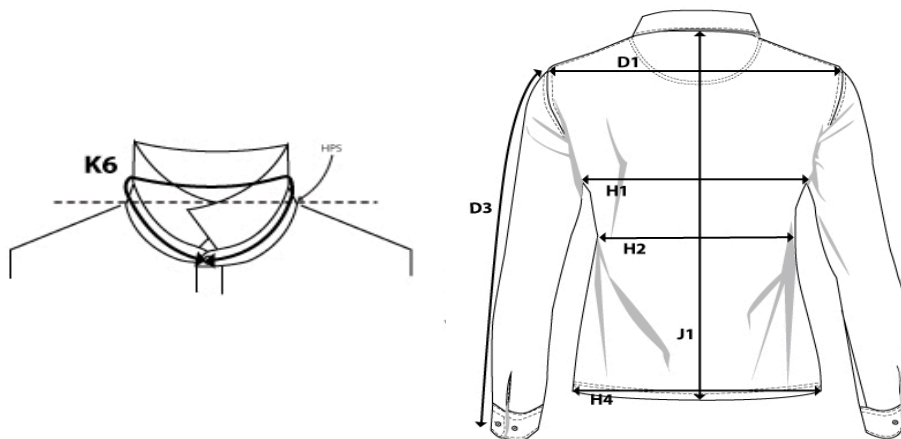


SIZE AND FIT: CARLINGTON



**CARLINGTON Mens**

Base size: <b>M</b> / Measurement (in cm)	Diagram	S	M	L	XL	XXL	3XL	4XL
SHOULDER TO SHOULDER	D1	42	<b>43,5</b>	45	46,5	48	49,5	51
SLEEVE LENGTH - from shoulder seam	D3	66	<b>67</b>	68	69	70	71	71
CHEST WIDTH at armhole	H1	47	<b>50</b>	53	56	59	62	65
WAIST	H2	46	<b>49</b>	52	55	58	61	64
BOTTOM WIDTH	H4	46	<b>49</b>	52	55	58	61	64
FULL LENGTH at centre back	J1	68	<b>70</b>	72	74	76	78	78
NECKLINE CF to CF	K6	38	<b>40</b>	42	44	46	48	50



**CARLINGTON Ladies**

Base size: <b>M</b> / Measurement (in cm)	Diagram	XS	S	M	L	XL	XXL	3XL
SHOULDER TO SHOULDER	D1	34	35	<b>36</b>	37	38	39	40
SLEEVE LENGTH - from shoulder seam	D3	59	60	<b>61</b>	62	63	64	65
CHEST WIDTH at armhole	H1	39	42	<b>45</b>	48	51	55	59
WAIST	H2	35	38	<b>41</b>	44	47	52	56
BOTTOM WIDTH	H4	39	42	<b>45</b>	48	51	55	59
FULL LENGTH at centre back	J1	62	64	<b>66</b>	68	70	72	74
NECKLINE CF TO CF	K6	36	37	<b>38</b>	39	40	41	42